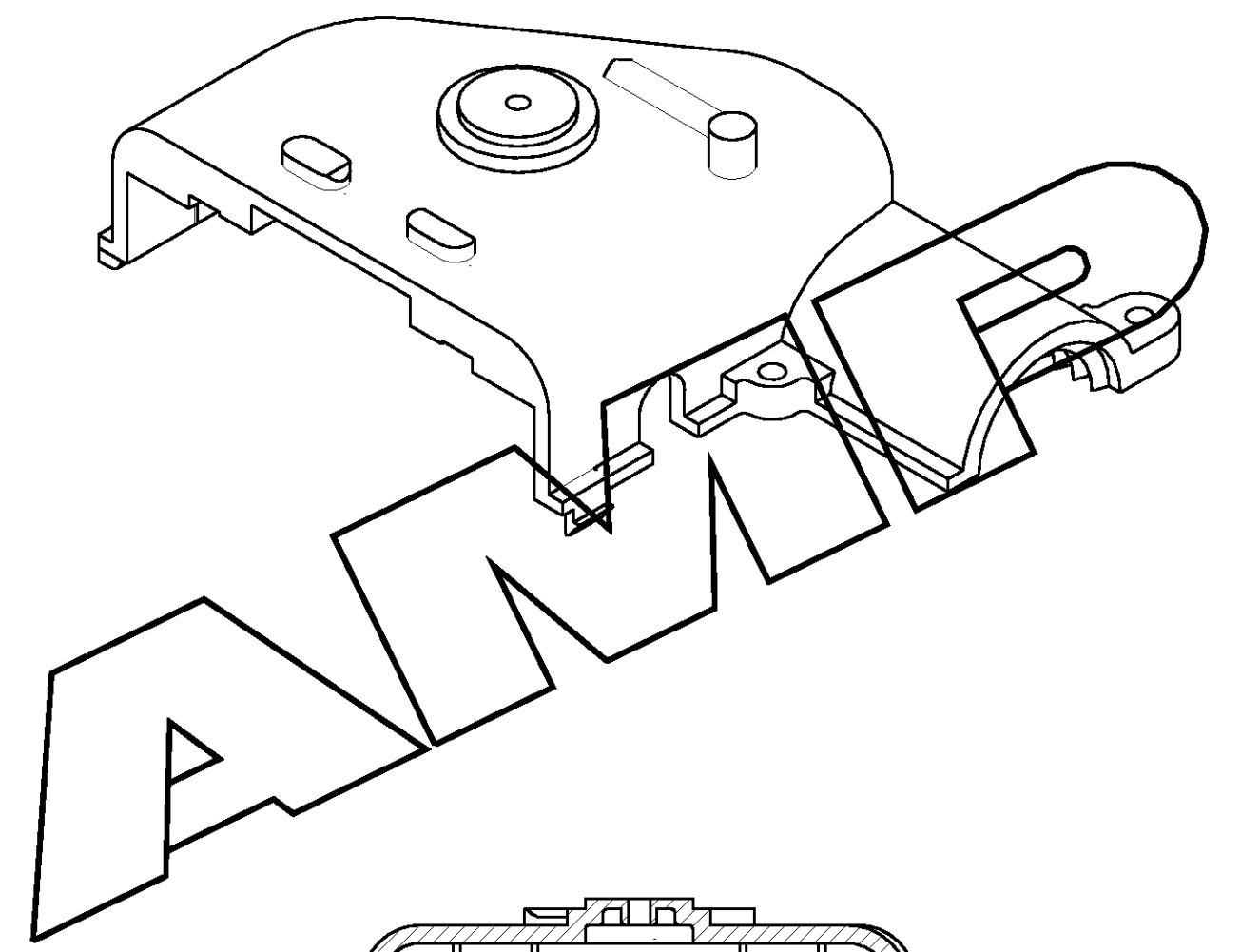
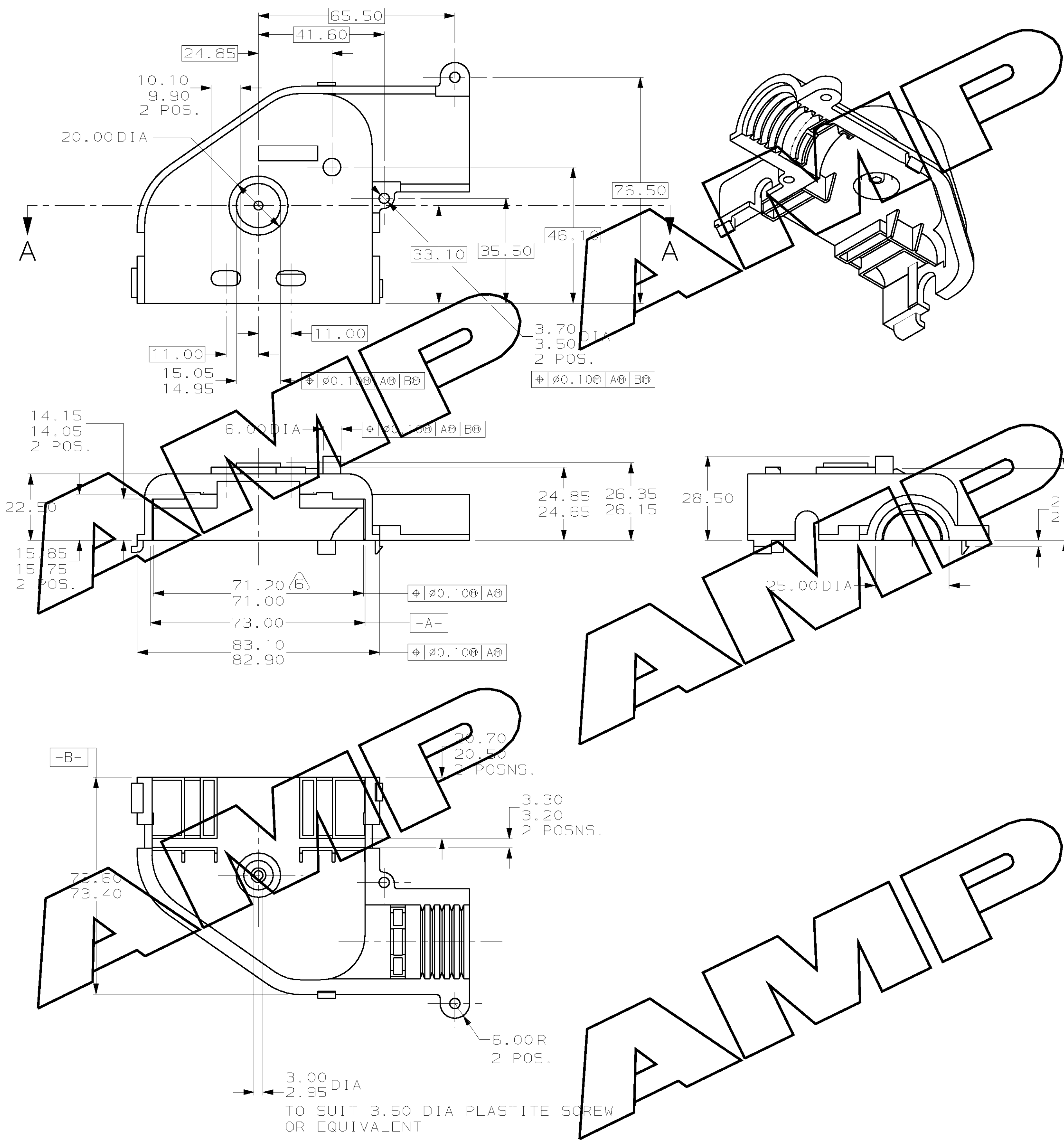


C.A.D. FILE CODE
S.346237

DO NOT SCALE DIMENSIONS IN MM.



SECTION A-A

NOTES

1. MATERIAL TO BE 3% GLASS FILLED NYLON
 2. THIS ITEM MATES WITH PART NUMBER 346238-1
 3. THIS HALF CONTAINS INTEGRALLY MOULDED WIRE STRAIN RELIEF
 4. PART NUMBERS OF REFERENCE ASSYS. 346352-1 AND
 5. COLOUR TO BE BLACK
- ⚠ THIS DIMENSION REFERS TO TUNABLE LOCATION RIE

CUSTOMER DWG FOR REFERENCE ONLY				©COPYRIGHT 1991 BY AMP OF GREAT BRITAIN LTD. ALL INTERNATIONAL RIGHTS RESERVED. ALL PRODUCTS MAY BE COVERED BY BRITISH AND FOREIGN PATENTS AND/OR PATENTS PENDING.				RELEASED FOR PUBLICATION 28 NOV 1991			
				TOLERANCES UNLESS OTHERWISE STATED : DEC ± 0.5 ANGLES ± 1°				DR. P. N. TANNER 25/11/91			
								CH. M. MCGREGOR APP. J. PALMER			
								AMP of Great Britain Ltd. TERMINAL HOUSE STANMORE MIDD.			
B RS ECR-06-004496 24-02-06				NAME STRAIN RELIEF COVER UPPER HALF (36 WAY ECONOSEAL)				S			
3 P. N. TANNER C8024 6/1/92				SCALE LOC SIZE DWG.No.				REV SHEET			
2 P. TANNER C5969 25/11/91				1/1 E A2 346237				B 1/1			
1 H. COLLINS - 25/6/91				REV APPROVED ECN DATE							